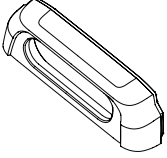
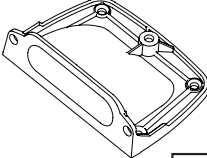
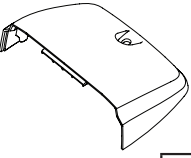
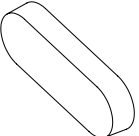
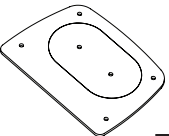
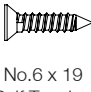

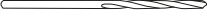



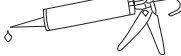



Parts List

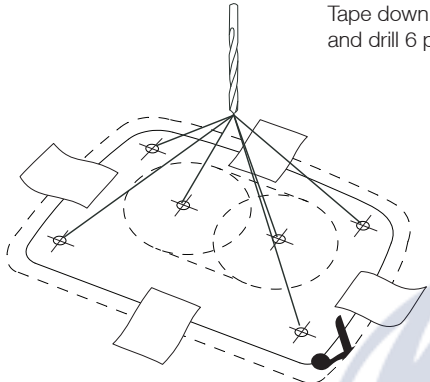
 Front x1	 Base x1	 Cover x1
 Bung x1	 Gasket x1	 No.6 x 19 Self Tapping x4  M5 x 12 Pan Head Pozi x3

Tools Required

 Ø2.5mm (3/32") Ø3mm (1/8") Ø4mm (5/32") Drill Bit	 Ø44mm (1 3/4") Hole Saw/ Drill Bit	 Deburrer (Recommended)
 Pozi PZ2 Screwdriver	 Silicone	 Jig Saw

①

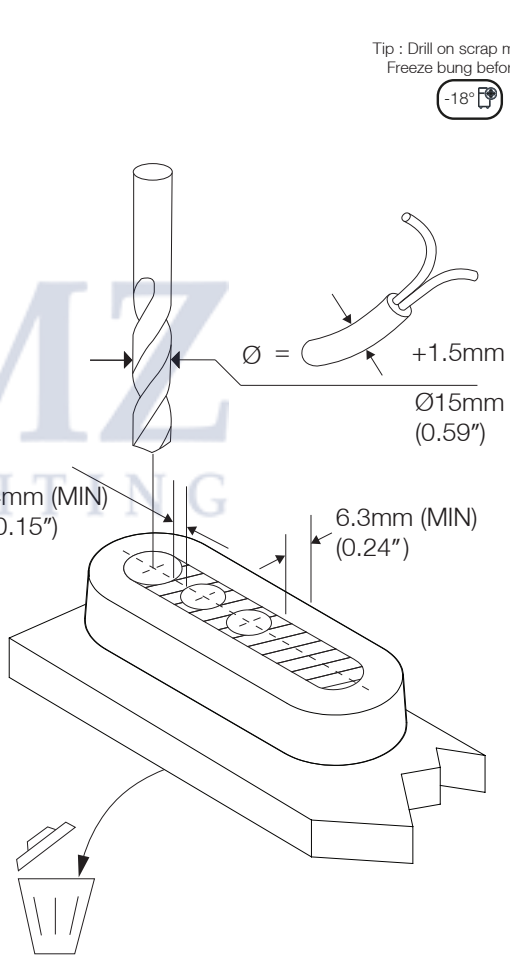
Tape down cutting template and drill 6 pilot holes.



Material	Drill	Fixing
Soft Material e.g. plywood	2.5mm (3/32")	No.6 Screw (included)
Hard Material e.g. fiberglass, hardwoods, acrylics	3mm (1/8")	
Metal e.g. Steel, aluminium	4mm (5/32")	<u>Recommended</u> >12mm x M4 Countersunk Bolt with washer and Nyloc (Not included)

④

Tip : Drill on scrap material. Freeze bung before drilling.

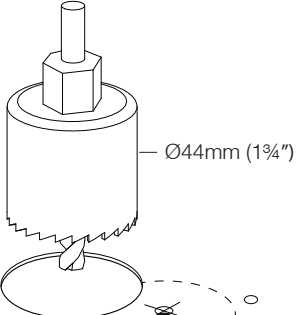


Ø = +1.5mm
Ø15mm (MAX) (0.59")

4mm (MIN) (0.15")
6.3mm (MIN) (0.24")

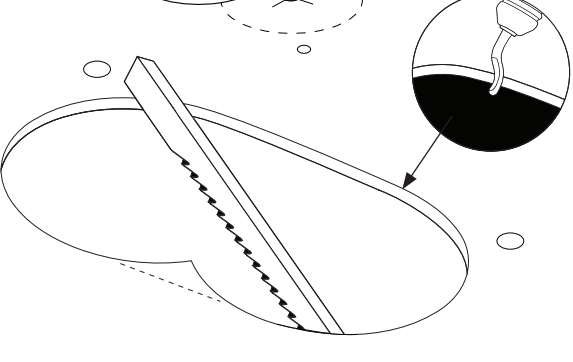
-18°

②



Ø44mm (1 3/4")

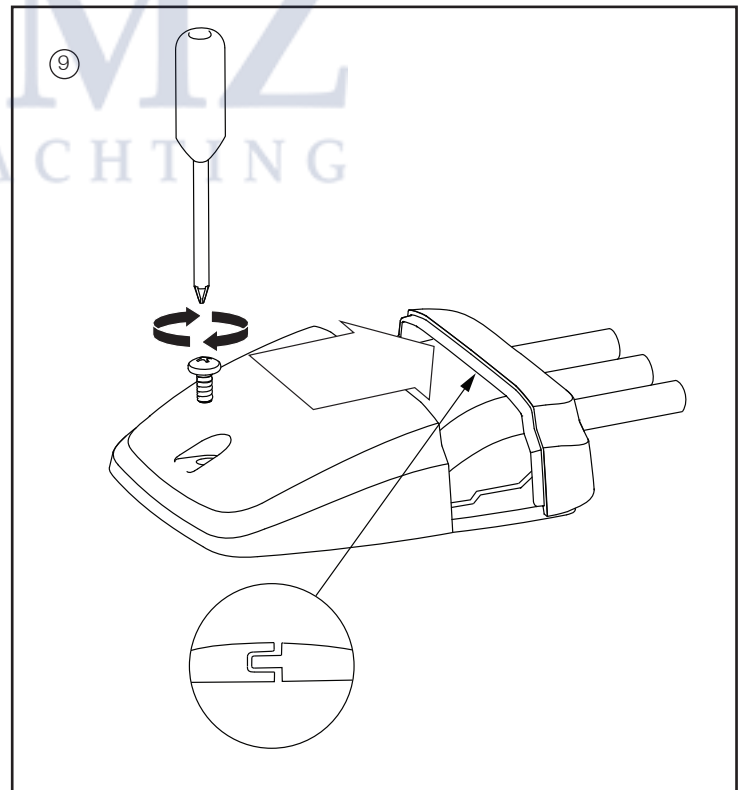
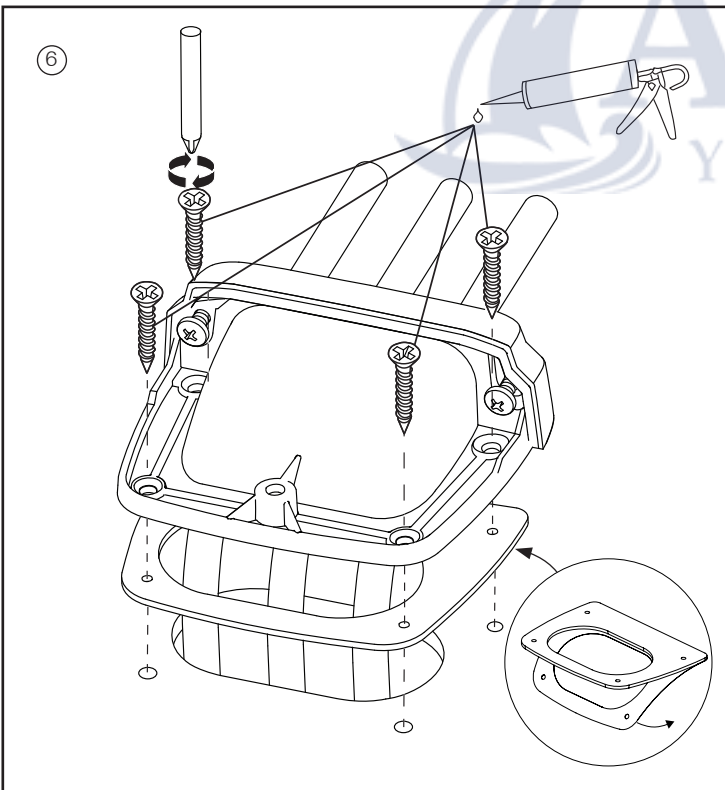
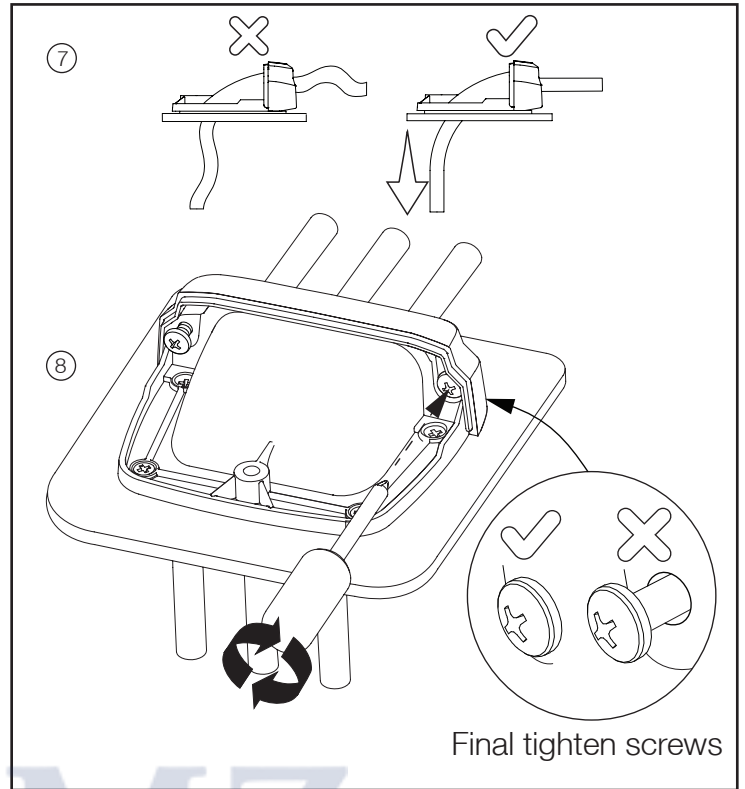
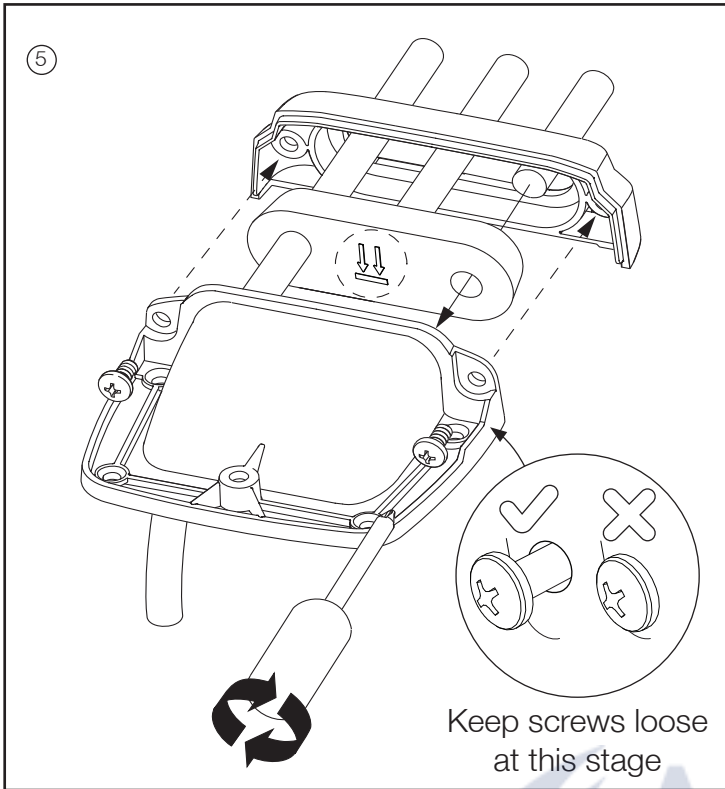
③



UK & International
+44 (0)1392531280
sales@scanstrut.com

For further installation
and warranty information
please visit:
www.scanstrut.com

USA
+1 860 308 1416
usasales@scanstrut.com



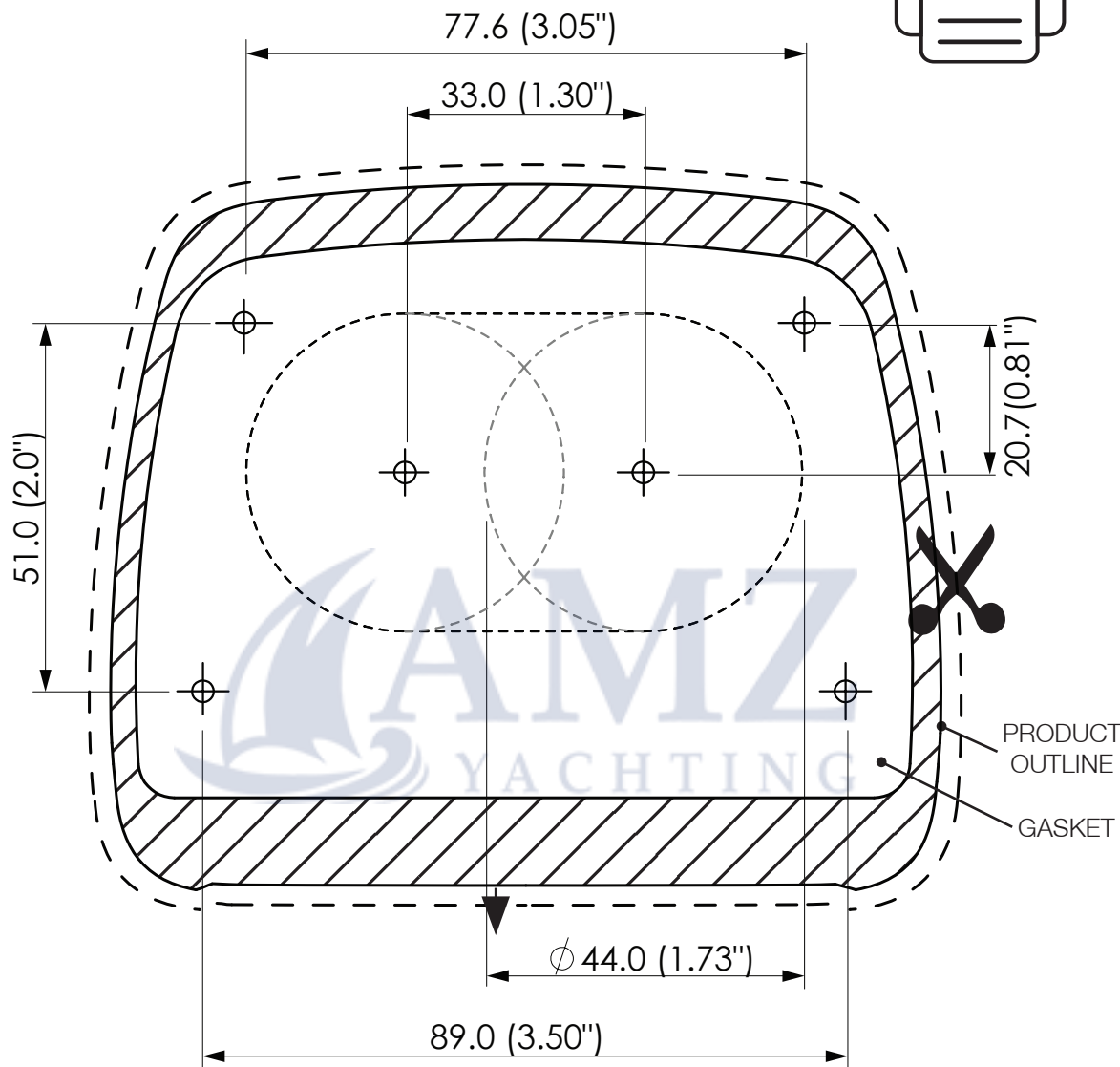
UK & International
+44 (0)1392531280
sales@scanstrut.com

For further installation
and warranty information
please visit:
www.scanstrut.com

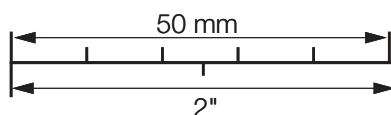
USA
+1 860 308 1416
usasales@scanstrut.com

Cutting Template

Print document 1:1 scale
for correct cutting template size.



Warning Check Scale



UK & International
+44 (0)1392531280
sales@scanstrut.com

For further installation
and warranty information
please visit:
www.scanstrut.com

USA
+1 860 308 1416
usasales@scanstrut.com